

SPECIFICATION



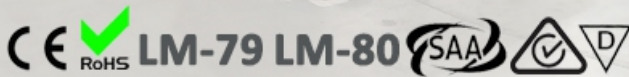
HB4™ UFO HIGH BAY (Built-in Pluggable Motion Sensor)



HB4 UFO High Bay

(Built-in Pluggable Motion Sensor)

- > ADC12 Die-castign Al,Integrally Mold Forging,Excellent Thermal Conductivity;
- > High Brightness LUMILEDS LUXEON SMD3030 2D LEDs, SOSEN/Meanwell HBG/ELG/HLG Round/Rectangle Driver
- > IP65 / IK08 Protection;
- > 60°/90° (with Pearl or Stripe Lens)/120° (without PC or Toughened Glass Cover) beam angle optional;
- > Corrosive Resistant Powder Coated Finish;
- > D-Mark tested for the use in paper production,wood processing etc. with toughened glass;
- > Multiple Installations: Loop Hanging, Ceiling Mounting, Wall Mounting;
- > Various intelligent control: 1-10V, DALI, Pluggable Motion sensor, Daylight sensor,Zigbee and Emergency;
- > safety chain reserved for labor cost saving and double safety assurance;
- > Customized supported for special projects;



- > ADC12 Die-castign Al,Integrally Mold Forging,Excellent Thermal Conductivity;
- > High Brightness LUMILEDS LUXEON SMD3030 2D LEDs, SOSEN/Meanwell HBG/ELG/HLG Round/Rectangle Driver;
- > Built-in Plug and Play Motion Sensor with Compact Structure;
- > IP65 / IK08 Protection;
- > 60°/90° (with Pearl or Stripe Lens)/120° (PC Cover or or Toughened Glass Cover) beam angle optional;
- > Corrosive Resistant Powder Coated Finish;
- > Multiple Installations: Loop Hanging, Ceiling Mounting, Wall Mounting;
- > Various intelligent control: 1-10V, DALI, Motion sensor,Daylight sensor,Zigbee and Emergency;
- > Safety chain reserved for labor cost saving and double safety assurance;
- > No UV or IR and completely mercury free;
- > L70/B20 @ 70.000h;
- > Customized supported for special projects;

Options:

- > Driver: Meanwell HBG(Round),ELG/HLG(Retangle),Sosen;
- > Controls and Dimming: 1-10V, DALI, Motion sensor,Daylight sensor,Zigbee and Emergency;
- > Reflector : PC reflector / Al reflector;
- > Lens : 60°/90° (with Pearl or Stripe Lens)/120° (PC or Toughened Glass Cover)
- > Installation: Loop Hanging, Ceiling Mounting, Wall Mounting;

Application

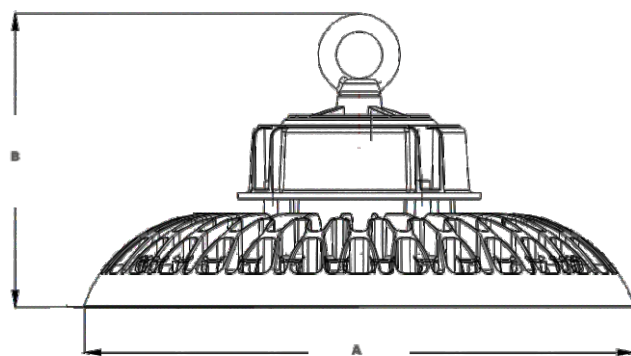
- > Factories / Warehouses / Supermarket
- > Exhibitions / Showrooms / Animal Farm
- > Barns and Riding Halls / Logistic Center
- > High Rooms and Halls / Stadium / Chemical Plant
- > Traditional lamp replacement

Technical Parameters

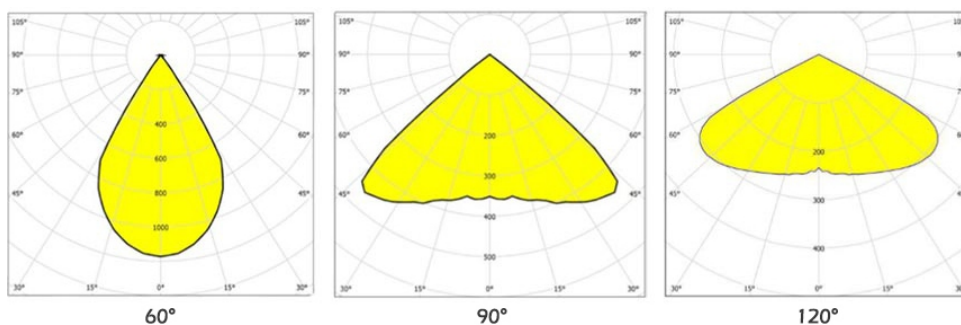
Model No.	DR-HB100-DGXP	DR-HB150-DGXP	DR-HB200-DGXP	DR-HB240-DGXP
System Watts/W	100W	150W	200W	240W
System Efficiency/LPW	135~140LPW			
Lumen Output/lm	14.000±5%	21.000±5%	28.000±5%	33.600±5%
Rated Input Voltage/V	AC200~240V, 50/60Hz /(AC100~277V, 50/60Hz Optional)			
LEDs Light Source	SMD3030			
SDCM	<5			
CCT/K	5000K for Standard (3000K/4000K/5700K/6500K Optional)			
CRI/Ra	>70Ra (>80Ra for Option)			
Power Factor	>0.95			
THD	<10%			
Beam Angle(Optional)	60°/90°/120°			
UGR	<25			
Surge Protection	3.75~4KV SPD built in Driver, Exterior SPD 20KV Meanwell Optional			
LED Driver	Meanwell HBG/ELG/HLG, Sosen			
IP Rating	IP65			
Dimming(Optional)	0/1-10V/DALI/Zigbee			
Sensor(Optional)	Motion Sensor, Daylight Sensor			
Emergency(Optional)	Available (30W @ 3Hrs for Standard)			
Protection Class	Class I			
Finishing Color(Optional)	Black RAL9017(Standard) / White RAL9016 Optional			
Material	Aluminum+PC			
Lifespan/hrs	70.000 Hrs (Ta=30°C@L70)			
Operation Temp/°C	-40°C to + 50°C (-40°F to 122°F)			
Storage Temp/°C	-40°C to + 65°C (-40°F to 149°F)			
Installation(Optional)	Loop Hanging, Ceiling Mounting, Wall Mounting			
Certificate	CE(EMC+LVD), RoHS, ENEC, D-Mark, SAA, RCM Available			

Dimensions

Character/Power	100W	150W	200W	240W
A	Ø290mm	Ø340mm	Ø380mm	Ø380mm
B	171mm	181mm	183mm	183mm



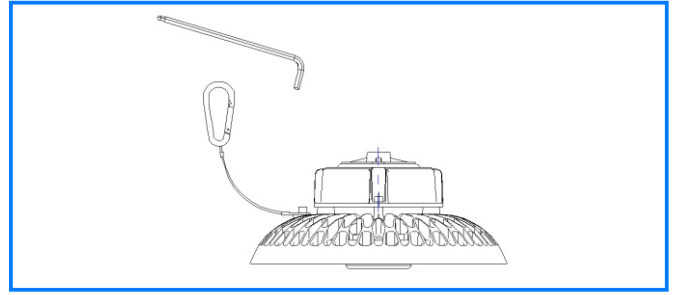
Photometry Diagram



Installation

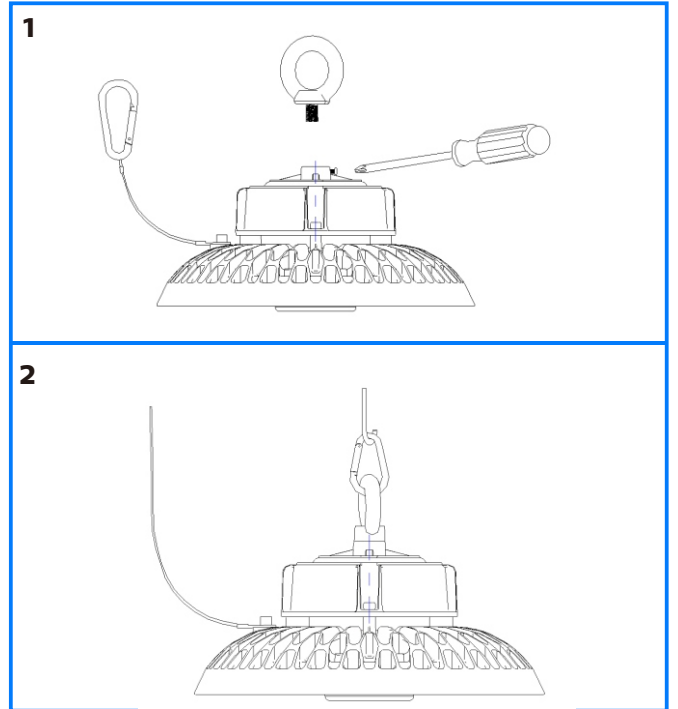
Preparatory Work

1. Loosen the screw with a screwdriver, righten the ring of the safety chain.
2. Tighten the screw and fix the cable with screwdriver.



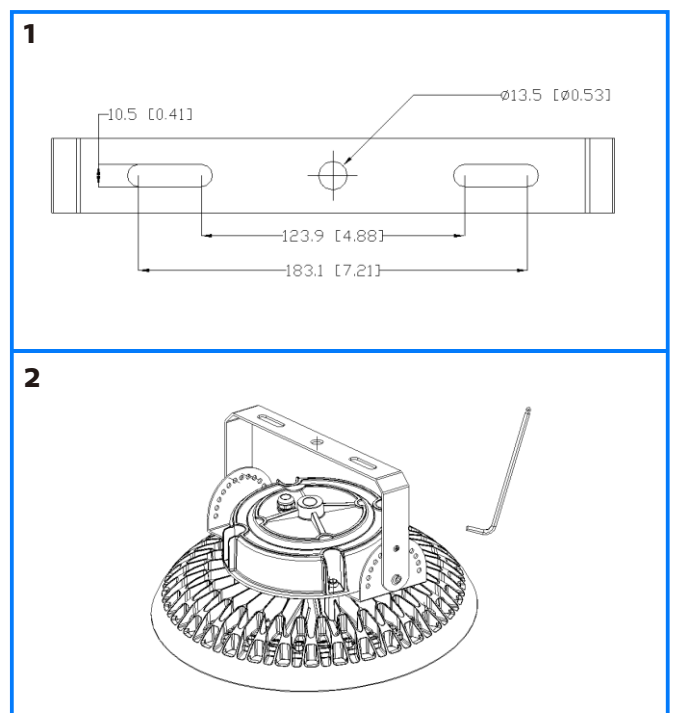
Loop Hanging

1. Take out the light fixture and match with the hang or chain in the ceiling.
2. Connect the safety chain to a fixed support.
3. Connect the wires according to the wiring diagram.



Adjustable Surface Mounting

1. Drill 2 holes in the ceiling or wall according to the size of U-bracket.(Figure 1)
2. Tighten the light fixture with expand screws or M10 bolts.
3. Connect the wires according to the wiring diagram.
4. Loosen fixed bolts with screwdriver and adjust the right position.
5. Fastern the fixed bolts.



INSTALLATION GUIDE
IMPORTANT SAFETY INFORMATION:

Please read all the instructions below before installation

- > Make sure that the supply voltage corresponds to the rated product voltage;
- > The product must be installed by a qualified electrician in accordance with the National Electrical Code and corresponding local codes.
- > If the product is damaged, do not use it!



Turn Off Power Supply



Wiring Diagram



RISK OF PERSONAL INJURY – READ and follow all WARNINGS and installation instructions.

Keep or give to the owner for future reference.

- Risk of cuts:** Wear gloves to prevent cuts or abrasions when removing from carton, handling, installing, and maintaining this product.
- Risk of electric shock:** This product must be installed in accordance with the applicable installation code by a person familiar with the construction and operation of the product and the hazards involved.
- Risk of Fire:** Minimum 194°F supply conductors. Consult a qualified electrician to ensure correct branch circuit conductor.

DUALWAYS® assumes no responsibility for claims arising out of improper or careless Installation or handling of this product.

Packaging Information

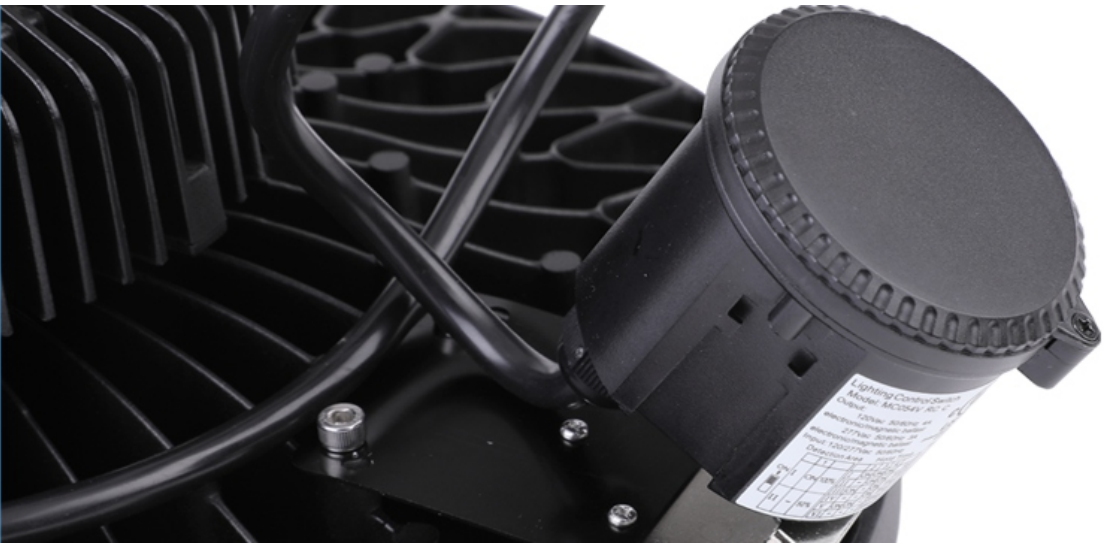
Model No.	Net Weight/Kg	Outer Carton Size/mm	Gross Weight/Kg	QTY"/CTN
DR-HB100-DGXP	3.5	355*350*165	3.9	1PCS
DR-HB150-DGXP	3.6	380*380*150	4.1	1PCS
DR-HB200-DGXP	4.8	415*410*175	5.5	1PCS
DR-HB240-DGXP	5.1	415*410*175	5.9	1PCS

Details Demo



Safety Chain for Protection, Double Assurance>>>

Microwave Sensor
for Option>>>



Zigbee Wireless
Smart Control>>>



KNX Protocol
Device with KNX
Bus (2/4/8/12
Channel for Op-
tion)>>>



Application Reference

